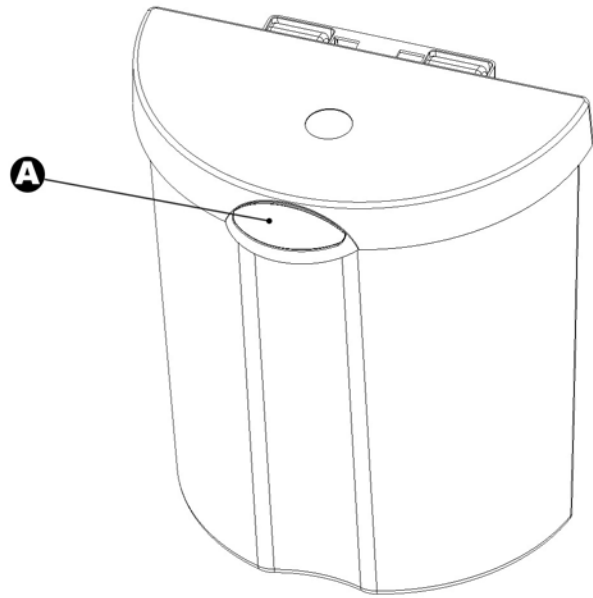
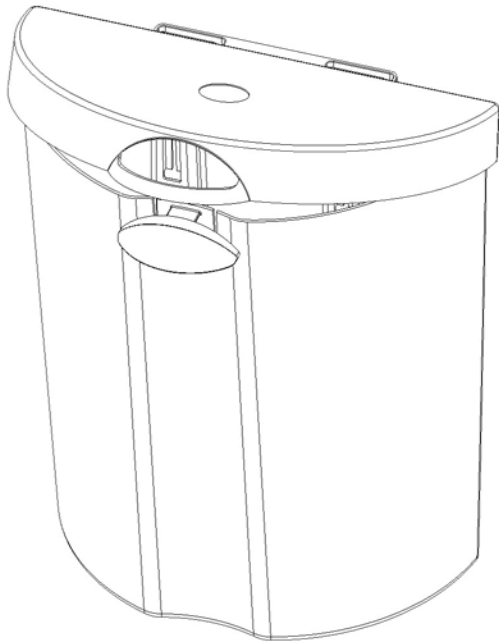


## INSTRUCTIONS FOR OUTDOOR USE

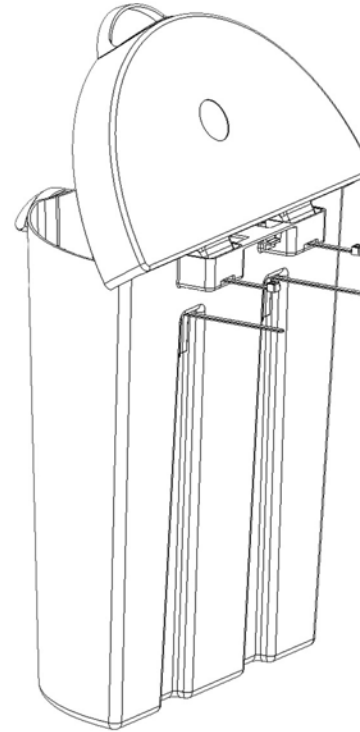


A. Press the push button to open the Glam Can.

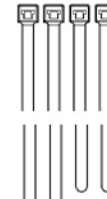


1

## INSTRUCTIONS FOR OUTDOOR USE



18" 11"



-Determine which set of wrap ties will fit your application.

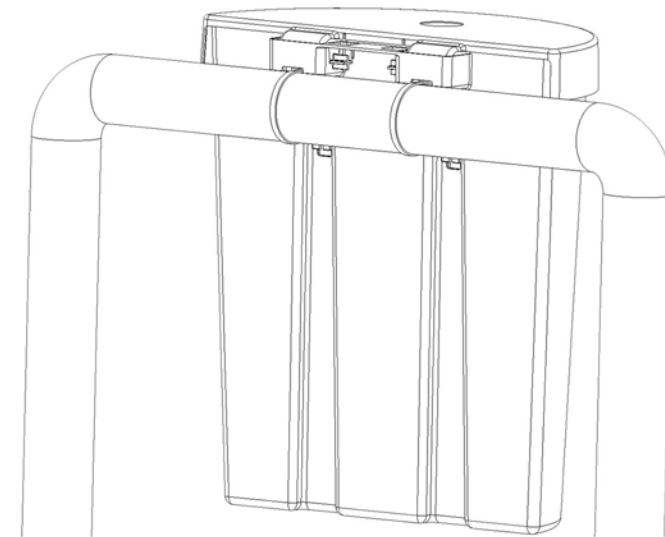
-Facing the back of the can insert one wrap tie inside the can through the top slot. Inside of the can push the wrap tie down and through the lower opening directly below the upper slot.

-Repeat the process on the opposite side.

-Place Glam Can against the horizontal railing and join both ends of the wrap ties and pull until tight.

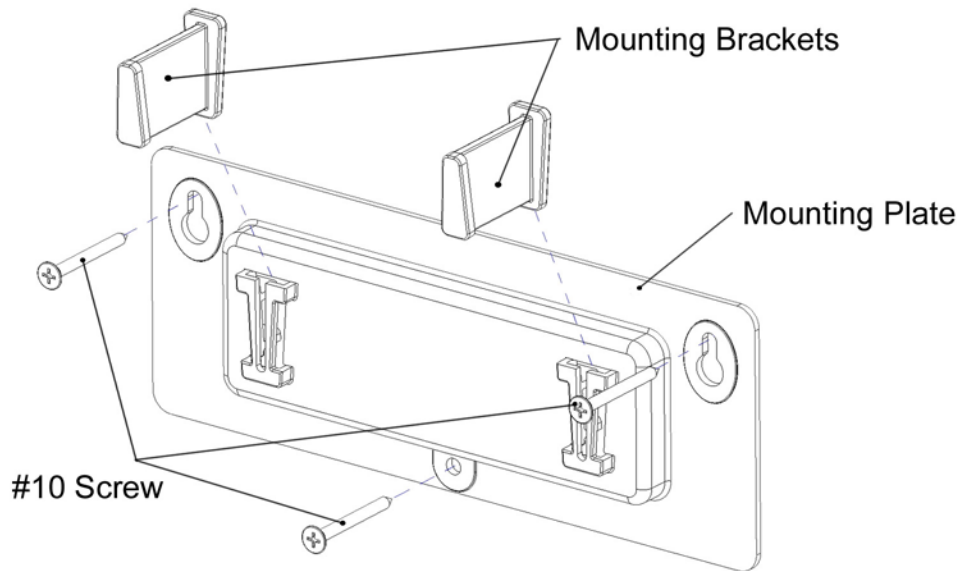
-Trim the excess tie once tightened.

-Repeat the process on the opposite side.

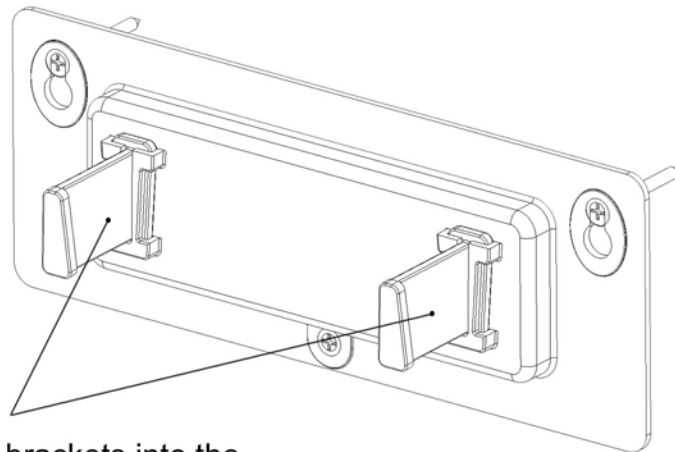


2

## INSTRUCTIONS FOR MOUNTING PLATE

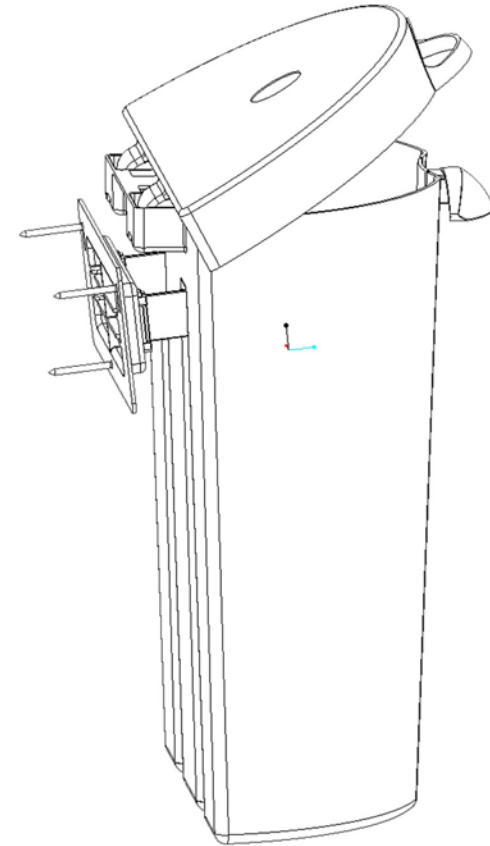


-Carefully secure the mount plate to a level surface using the screws provided.



-Insert the mount brackets into the plate's vertical mounting pockets.

## INSTRUCTIONS FOR MOUNTING PLATE



-Place the Glam Can on display, ensuring the can is securely fit into the mount bracket slots.